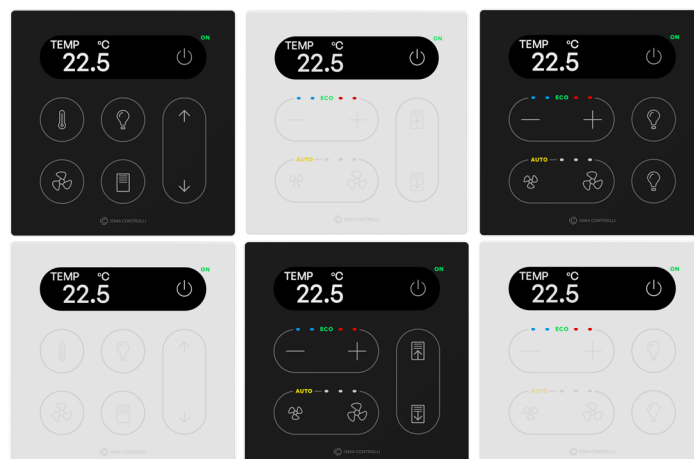


MODEL	DISPLAY	SENSORS		
		TEMPERATURE	CO ₂	HUMIDITY
TP-ONE-DISP-B/W*-2	•	•		
TP-ONE-C-DISP-B/W*-2	•	•	•	
TP-ONE-H-DISP-B/W*-2	•	•		•
TP-ONE-HC-DISP-B/W*-2	•	•	•	•
TP-ONE-DISP-1B-B/W*-2	•	•		
TP-ONE-C-DISP-1B-B/W*-2	•	•	•	
TP-ONE-H-DISP-1B-B/W*-2	•	•		•
TP-ONE-HC-DISP-1B-B/W*-2	•	•	•	•
TP-ONE-DISP-2L-B/W*-2	•	•		
TP-ONE-C-DISP-2L-B/W*-2	•	•	•	
TP-ONE-H-DISP-2L-B/W*-2	•	•		•
TP-ONE-HC-DISP-2L-B/W*-2	•	•	•	•

*B/W: all panels are available in black or white, which is reflected in the B (black)/W (white) letter of the product code, e.g., TP-ONE-H-DISP-B-2 or TP-ONE-C-DISP-W-2.



APPLICATION AND USE

TP-ONE panels are designed as a compact and versatile solution for a modern room automation, combining HVAC control with lighting and blind management in a single device. Based on open communication protocols, Modbus RTU/ASCII and BACnet MS/TP, they integrate easily with BMS systems and can be flexibly configured using iSMA Configurator or communication objects. With built-in sensors for temperature, CO₂, and humidity, the panel enables precise comfort control while serving as an intuitive user interface for managing all key room functions. By replacing multiple wall devices with one panel, TP-ONE simplifies cabling, reduces installation time and costs, and improves the overall aesthetics of the space, making it ideal for offices, hotels, and modern residential environments.

TP-ONE: Touch Point 2.0 room operating unit with a glass front and notched display. Touch buttons for occupancy, temperature setpoint, and fan, lighting, and blinds control. Controls up to 4 lighting circuits and up to 4 blinds. ON/OFF control and dimming. Dedicated for nano EDGE ENGINE controllers - requires a dedicated component.

TP-ONE-2L: Touch Point 2.0 room operating unit with a glass front and notched display. Touch buttons for occupancy, temperature setpoint, fan control, and two lighting circuits control. ON/OFF control and dimming.

TP-ONE-1B: Touch Point 2.0 room operating unit with a glass front and notched display. Touch buttons for occupancy, temperature setpoint, fan control and one blind control. ON/OFF control and dimming.

FEATURES

- Designed to fit any interior with an elegant black or pure white glass front
- Intuitive management with touch buttons
- Ease of configuration with a free iSMA Configurator app and USB-C connection
- 2 Smart Plug™ connectors, combining serial communication and power supply in a single RJ45 port
- 1 screw connector for direct RS485 and power supply
- Daisy-chain support
- Directly powered from controllers supporting Smart Plug™
- Flexible sensors configurations with temperature, humidity, and CO₂ sensors
- Open communication with Modbus RTU/ASCII and BACnet MS/TP, selectable with a DIP switch
- Alarm functionality for high CO₂ levels
- Freely configurable RGB LED
- Flush wall box 60 mm, US 1-gang electrical outlet box

TECHNICAL CHARACTERISTICS

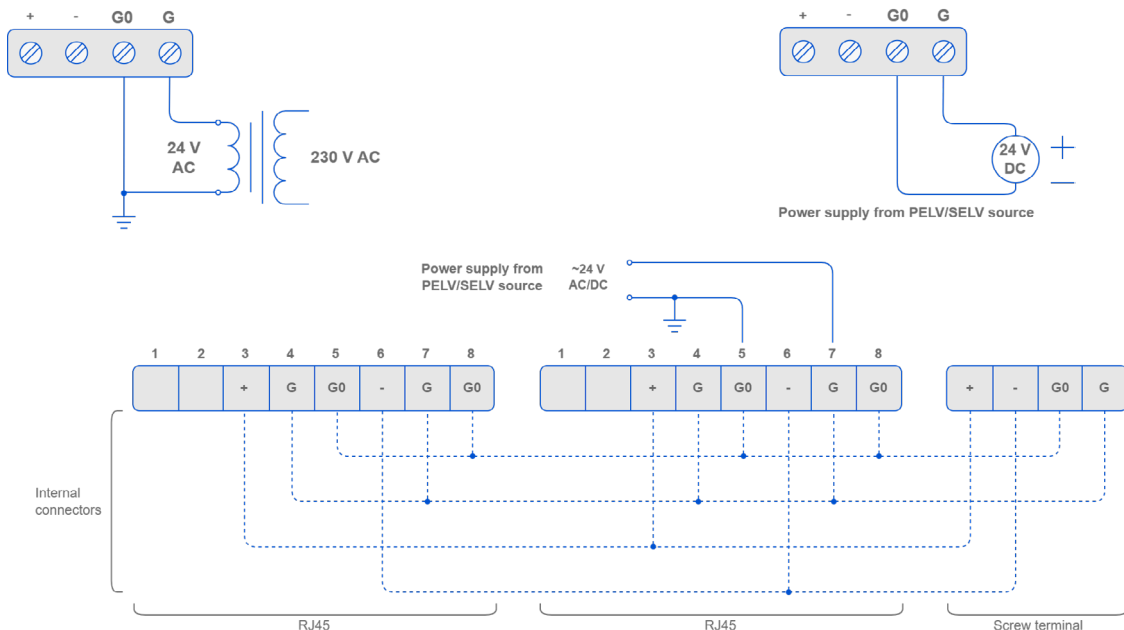
DESCRIPTION		TOUCH POINT ONE 2.0
Power supply	Voltage	DC: 20-40 V DC, AC: 24 V AC ± 20%
	Power consumption	0.6 W at 24 V DC, 1.9 VA at 24 V AC

The performances stated in this sheet can be modified without any prior notice.

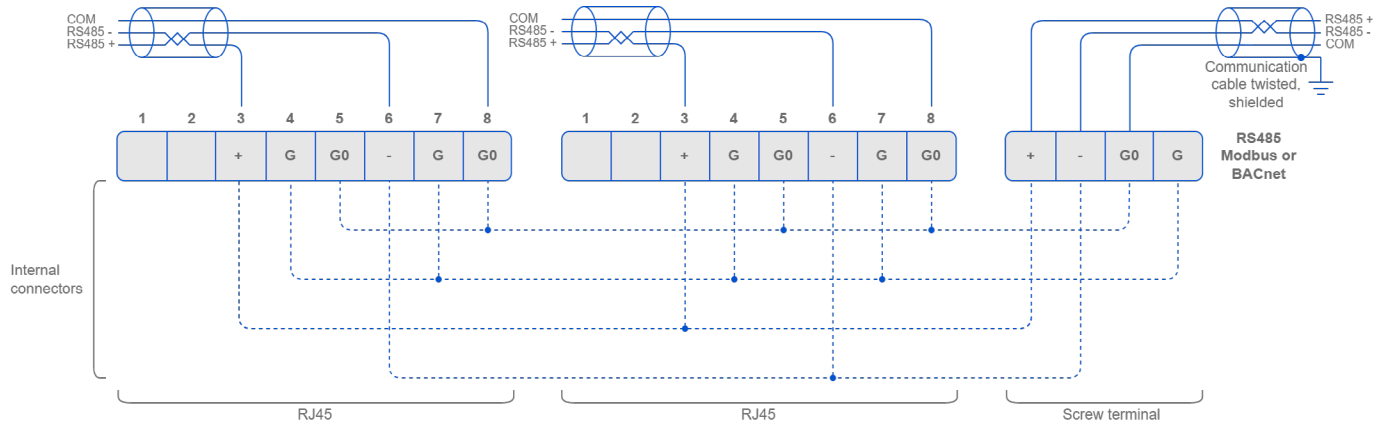
DESCRIPTION		TOUCH POINT ONE 2.0	
Built-in sensors	Temperature sensor	10k NTC type, range: 0-50°C, accuracy: ±0.5°C, resolution: ±0.1°C	
	Humidity sensor (applies to version with humidity sensor)	Range: 0-100% RH, accuracy: ±2% RH in range 10-90% RH, resolution: ±0.1% RH	
	CO ₂ sensor (applies to version with CO ₂ sensor)	Range: 400-2000 ppm, accuracy: 50 ppm + 5% of reading	
COM1	RS485 interface	Up to 128 devices	
	Communication protocols	Half-duplex Modbus RTU/ ASCII, BACnet MS/TP	
	Ports	2 Smart Plug RJ45 + screw connector	
COM1	Baud rate	2400-115200	
USB1	USB 2.0	USB type C	
Front panel	Surface	White/black glass	
	Display (applies to version with display)	TFT 0.96"	
	Backlight	3 intensity modes	
	Buttons	7	
	LED		2 blue, 2 red for temperature (in 2L and 1B versions)
			3 white for fan, 1 yellow for fan auto mode (in 2L and 1B versions)
			1 green for occupancy
		1 green (configurable, ECO) (in 2L and 1B versions) 1 navigation (configurable RGB)	
Ingress protection	IP rating	IP20 for indoor installation	
Temperature	Operating	From 0°C to +40°C	
	Storage	From -40°C to +70°C	
Humidity	Relative	From 5% to 95% RH (without condensation)	
Screw connector	Type	Removable screw terminals	
	Maximum cable size	1.5 mm ² (24...16 AWG)	
Housing	Material	Plastic, self-extinguishing ABS	
	Mounting	Standard 60 mm wall back box	
Dimensions	Width	86.00 mm/3.39 in	
	Length	86.00 mm/3.39 in	
	Height	14.80 mm/0.58 in	

WIRING DIAGRAMS

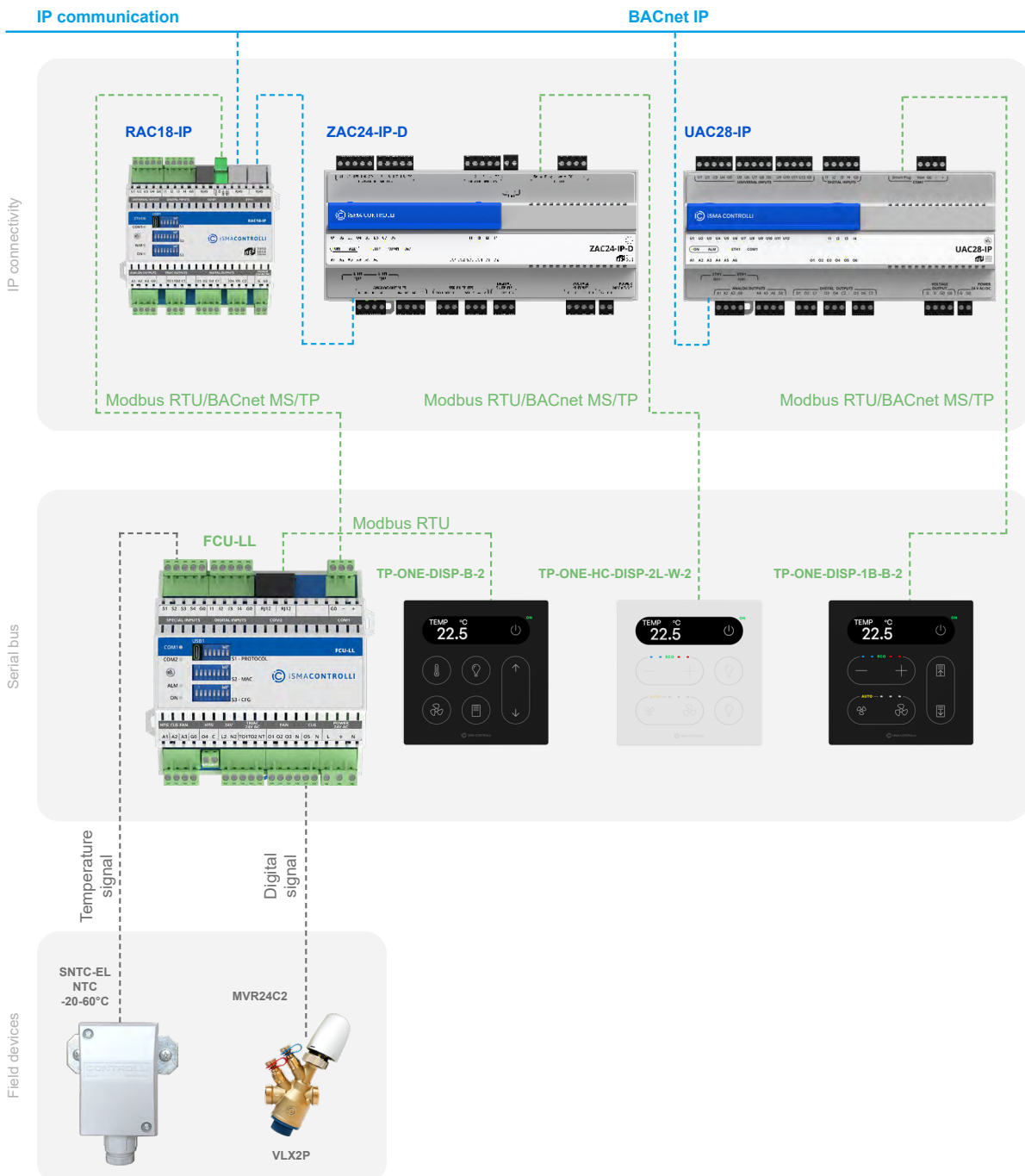
Power Supply



Communication



APPLICATION EXAMPLE





iSMA Configurator - configuration tool for non-programmable iSMA CONTROLLI devices

DIMENSIONS [mm, in]

